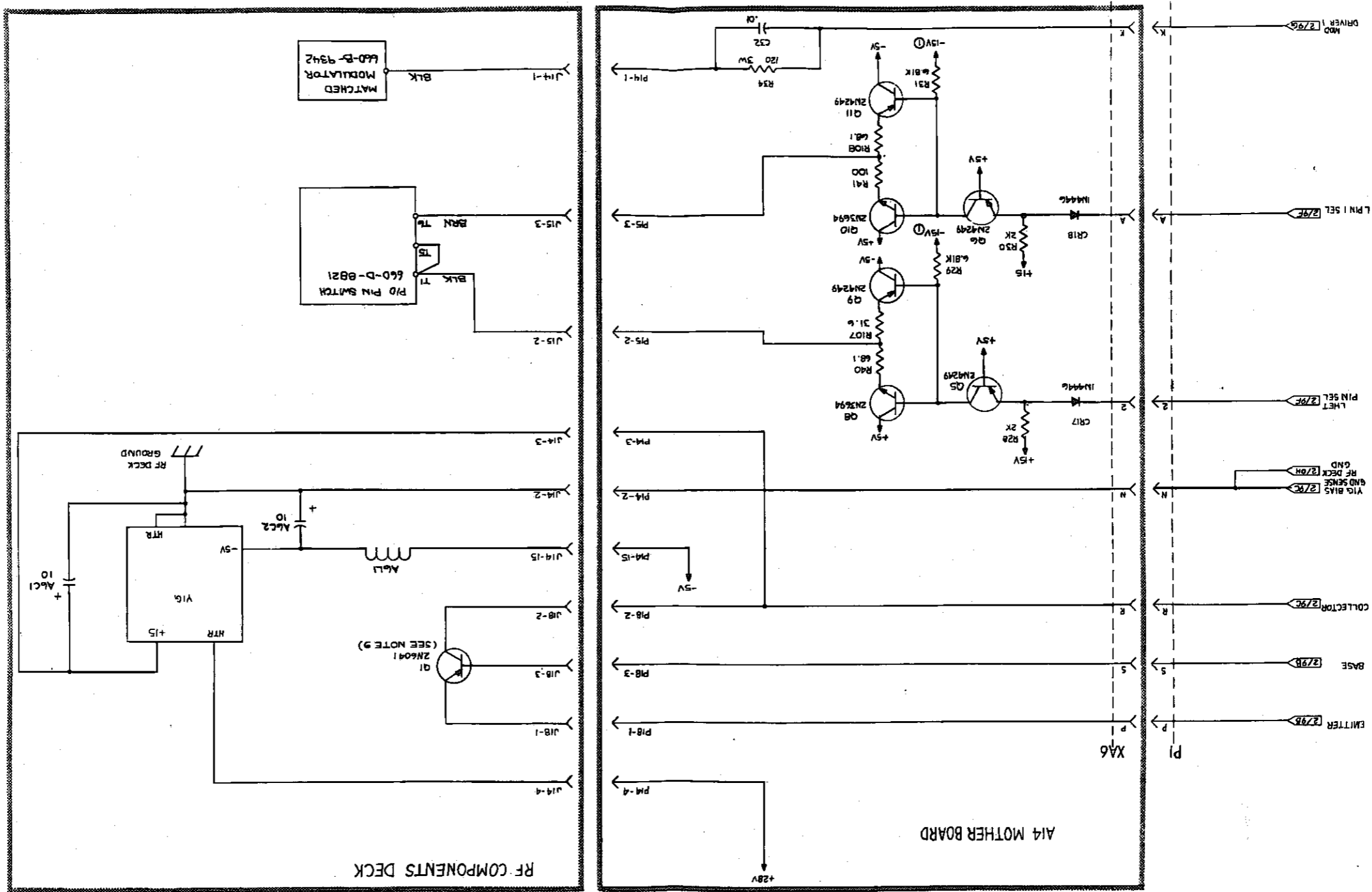


Figure 7-43. YIG Driver PCB, Assy  
8006-7 Schematic (Sheet 3 of 3)

SEE SHEET 1 FOR NOTES



0 1 2 3 4 5 6 7 8 9